

PRODUCT-INFORMATION

PROFI band saw mill with electric or gasoline motor

The solid LUMAG band saw mill is equipped with a powerful electric motor or petrol engine. The smooth running of the drive wheels makes the machine ideal for precise sawing of soft, hard and dry wood. A robust and vibration-free steel construction ensures good cutting accuracy, even with large and heavy workpieces. The BSW 76EPRO or BSW 76GLPRO is supplied with a 5 m track and can be extended as required with extension track.

- for logs max. 760 mm thick
- Manual feed
- Cutting length in the basic version, max. 5 m
- the maximum cutting length depends on the extension track
- Electric cutting height adjustment, simple operation via toggle switch
- Coolant device with 10-liter container and dosing screw
- A 4004 band saw blade is included in the scope of delivery

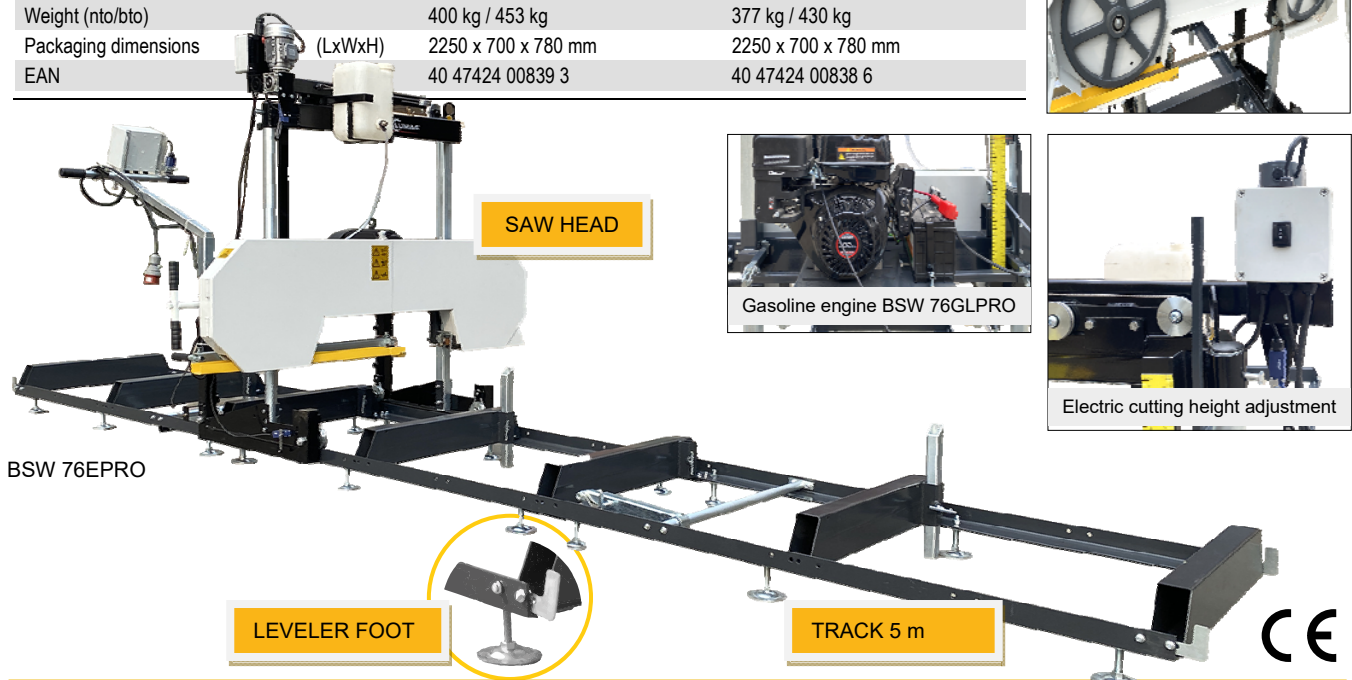
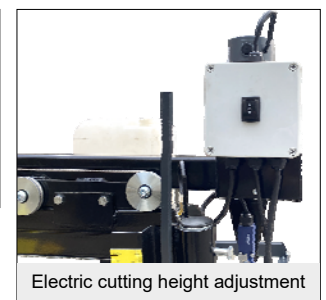
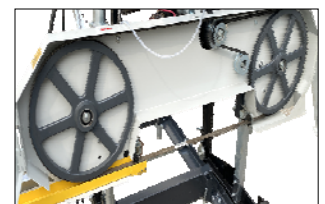
Technical data	BSW 76EPRO	BSW 76GLPRO
Engine / Drive	5,5 kW S1 3/PE AC 400V ~50Hz, 16 A IP 54	4-stroke OHV petrol engine G300FA 6.8 kW at 3,600 min-1, 302 cm ³ E-Start 12V, 30Ah, 330A
Max. log diameter	760 mm	760 mm
Max. board width	750 mm	750 mm
Max. Stroke of the saw blade	660 mm	660 mm
Min. Stroke of the saw band over the cross strut	50 mm	50 mm
Max. Cutting depth	180 mm	180 mm
Max. Cutting length of the basic version (standard)	5 Meter	5 Meter
Max. Cutting length	unlimited	unlimited
Min. Cutting length	1 Meter	1 Meter
Feed of the sawing unit	manuell	manuell
Cutting height adjustment	electrical	electrical
Belt wheel diameter	Ø 474 mm	Ø 474 mm
Belt wheel width	24 mm	24 mm
Saw band dimensions	4004 x 32 x 1,1 mm	4004 x 32 x 1,1 mm
Speed of the saw band	15 m/s	15 m/s
cutting kerf (offcut)	1,4 – 2,2 mm	1,4 – 2,2 mm
Coolant tank	10 Liter	10 Liter
Dimensions of the basic version (LxWxH)	6741 x 2075 x 2000 mm	6671 x 2075 x 1960 mm
Weight (nto/bto)	400 kg / 453 kg	377 kg / 430 kg
Packaging dimensions (LxWxH)	2250 x 700 x 780 mm	2250 x 700 x 780 mm
EAN	40 47424 00839 3	40 47424 00838 6

ACCESSORIES (optional)
suitable for BSW 76EPRO,
BSW 76GLPRO

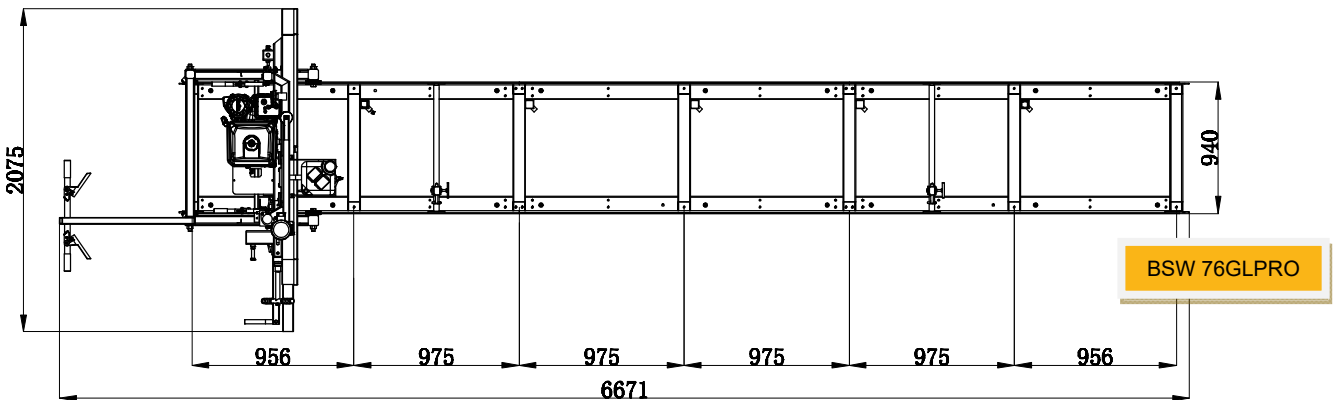
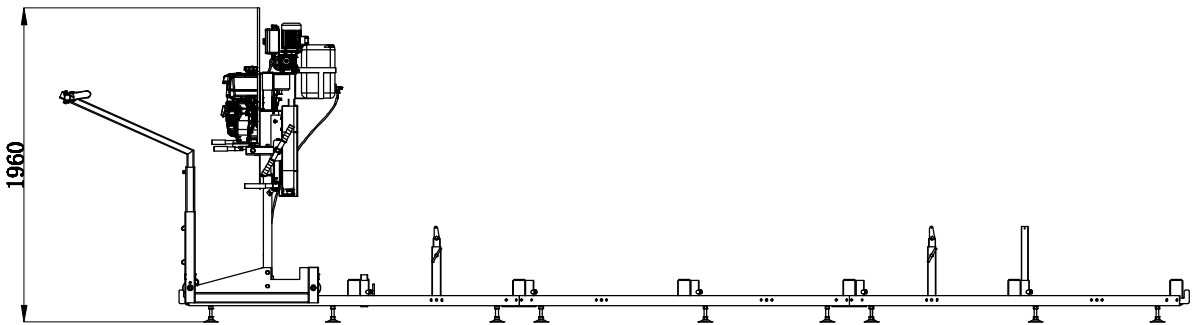
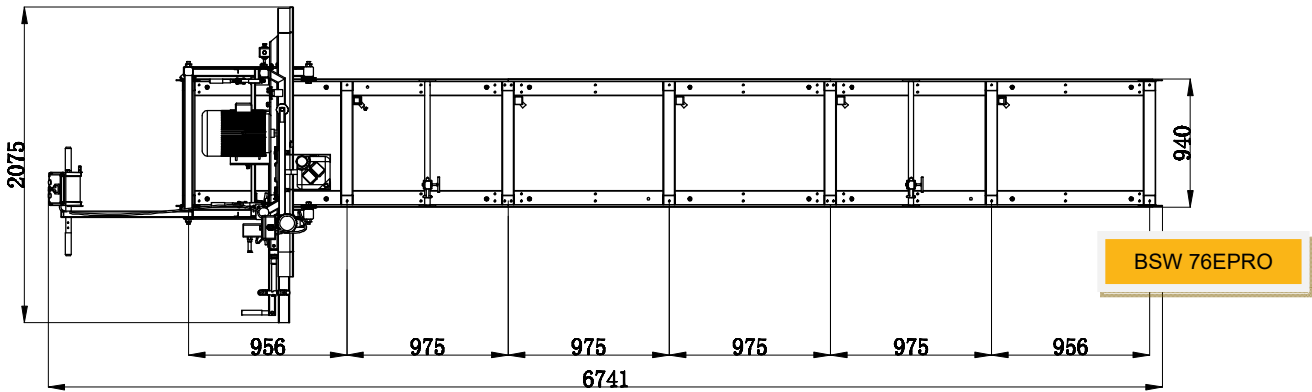
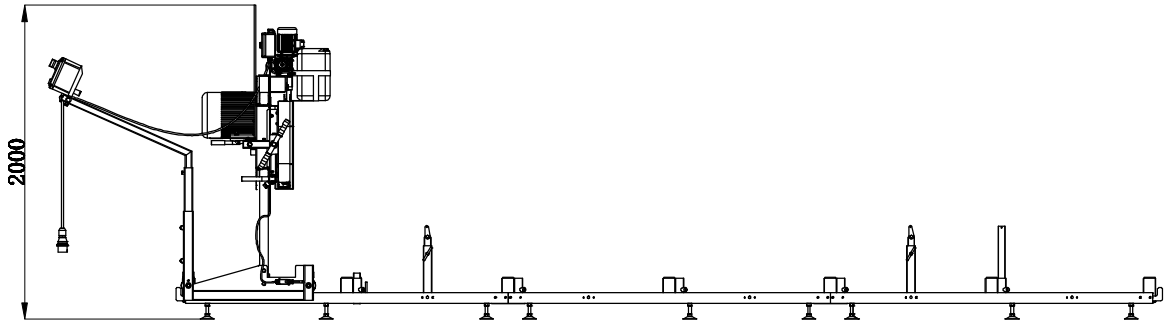
Extension track
Total length 1.95 meters
Weight (nto/bto) 63 kg / 65 kg
Art. No. 5BSWR2000PRO
EAN: 40 47424 00840 9

Band saw band 4004
L/4004 x W/32 x thickness 1.1 mm
22 mm tooth spacing
Art. No. 5BSWSB6
EAN: 40 47424 08342 0

Band saw blade 4004
"X-CUT-Special"
L/4004 x W/32 x thickness 1.1 mm
22 mm tooth spacing
Art. No. 5BSWSB5
EAN: 40 47424 08341 3



DIMENSIONS: BSW 76EPRO / BSW 76GLPRO



EXTENSION TRACK for PROFI band saw mill BSW 76EPRO / BSW 76GLPRO

ACCESSORIES, optional

The 2 meter extension track is suitable for the PROFI log band saw BSW 76EPRO and BSW 76GLPRO.

The extension track is supplied complete with clamping devices and leveling feet.

TECHNICAL DATA:

Total length: 1.95 meters
Dimensions: 195 x 94 cm
Weight: 63 kg
Art. No. 5BSWR2000PRO
EAN: 40 47424 00840 9

SCOPE OF DELIVERY:

1 pc. Roller conveyor extension
1 clamping device
1 log stop short
1 log stop long
1 pc. Square tube, short, adjustable
6 pcs. Leveling feet

